

---

# **FnIO G-Series**

## **GT-1804**

**GT-1804(4 Points, AC Input Terminal, 120Vac)**

# Specification

## Table of Contents

Table of Contents.....	2
History.....	3
1.Environment Specification.....	4
2.GT-1804(4 Points, AC Input Terminal, 120Vac).....	5
2.1.GT-1804Specification.....	5
2.2.GT-1804Wiring Diagram.....	6
2.3.GT-1804LED Indicator.....	7
2.3.1.LED Indicator.....	7
2.3.2.Channel Status LED.....	7
2.4.Mapping Data into the Image Table.....	8

## History

REV.	PAGES	REMARKS	DATE	Editor
1.00	8	New Document	July 18, 2016	Jun, Seokhyun
1.01	8	Specification Revision	Oct 17, 2016	Jun, Seokhyun

# Specification

## 1. Environment Specification

<b>Environment specification</b>	
Operating Temperature	-40°C~70°C
UL Temperature	-20°C~60°C
Storage Temperature	-40°C~85°C
Relative Humidity	5% ~ 90% non-condensing
Mounting	DIN rail
<b>General specification</b>	
Shock Operating	IEC 60068-2-27
Vibration Resistance	Based on IEC 60068-2-6 Sine Vibration <ul style="list-style-type: none"> <li>- 5 ~ 25Hz : ±1.6mm</li> <li>- 25 ~ 300Hz : 4g</li> <li>- Sweep Rate : 1 Oct/min, 20 cycles</li> </ul> Random Vibration <ul style="list-style-type: none"> <li>- 10 ~ 40 Hz : 0.0125 g<sup>2</sup>/Hz</li> <li>- 40 ~ 100 Hz : 0.0125 → 0.002 g<sup>2</sup>/Hz</li> <li>- 100 ~ 500 Hz : 0.002 g<sup>2</sup>/Hz</li> <li>- 500 ~ 2000 Hz : 0.002 → 1.3 x 10<sup>-4</sup>g<sup>2</sup>/Hz</li> <li>- Test time : 1hrs for each test</li> </ul>
Industrial Emissions	EN61000-6-4/All : 2011
Industrial Immunity	EN 61000-6-2 : 2005
Installation Position	Vertical and horizontal installation is available.
Product Certifications	CE, UL

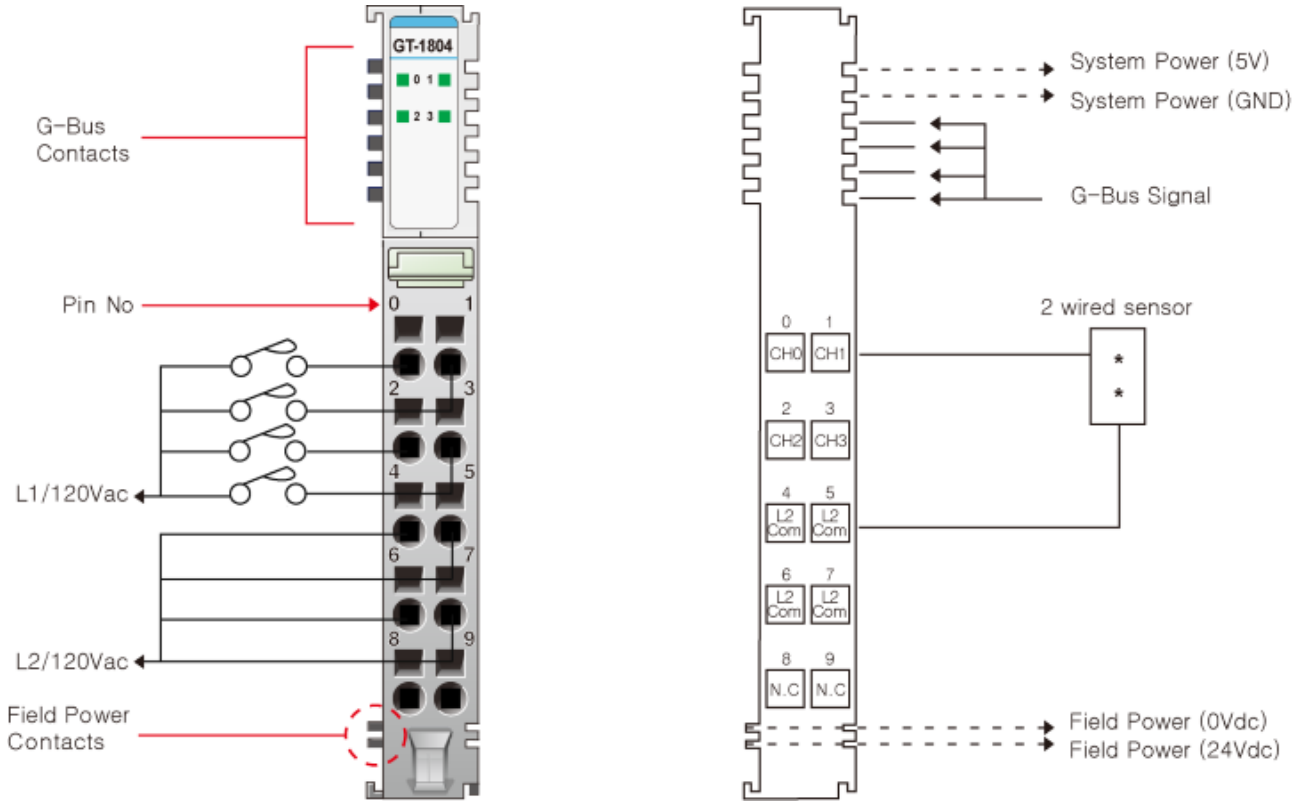
# Specification

## 2. GT-1804 (4 Points, AC Input Terminal, 120Vac)

### 2.1. GT-1804 Specification

Items	Specification
<b>Input Specification</b>	
Inputs Per Module	4 Points type
Indicators	4 Green input state
ON-state Voltage	120Vac nominal Min. 85Vac to Max. 132Vac
ON-state Current	7.5mA maximum/point @120Vac
Maximum OFF-state Voltage	45Vac maximum
Input Signal Delay	OFF to ON : 30mS @ 120Vac ON to OFF : 130mS @ 120Vac
Nominal Input Impedance	17.5KΩ typical
Frequency Range	60Hz
Common Type	4 Points / 4 Common ( L2/N )
<b>General Specification</b>	
Power Dissipation	Max. 30mA @ 5.0Vdc
Isolation	I/O to Logic : Photocoupler isolation
Field Power	Field Power passes through to the next module. Supply voltage : 24Vdc Voltage range : 15V ~ 32Vdc (AC Power Not used)
Wiring	I/O Cable Max. 2.0mm <sup>2</sup> (AWG 14)
Weight	57g
Module Size	12mm x 99mm x 70mm
<b>Environment Condition</b>	<b>Refer to 'Environment Specification'</b>

## 2.2. GT-1804 Wiring Diagram

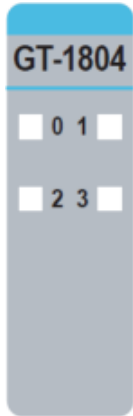


Pin No.	Signal Description	Signal Description	Pin No.
0	Input Channel 0	Input Channel 1	1
2	Input Channel 2	Input Channel 3	3
4	Input Channel Common ( L2/N )	Input Channel Common ( L2/N )	5
6	Input Channel Common ( L2/N )	Input Channel Common ( L2/N )	7
8	N.C	N.C	9

# Specification

## 2.3. GT-1804 LED Indicator

### 2.3.1. LED Indicator



LED No.	LED Function / Description	LED Color
0	INPUT Channel 0	Green
1	INPUT Channel 1	Green
2	INPUT Channel 2	Green
3	INPUT Channel 3	Green

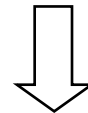
### 2.3.2. Channel Status LED

Status	LED	To indicate
Off Signal	Off	No Input Signal
On Signal	Green	Normal Operation

## 2.4. Mapping Data into the Image Table

- **Input Module Data**

D3	D2	D1	D0
----	----	----	----



- **Input Image Value**

Bit No	Bit7	Bit6	Bit5	Bit4	Bit3	Bit2	Bit1	Bit0
Byte0	Reserved				D3	D2	D1	D0